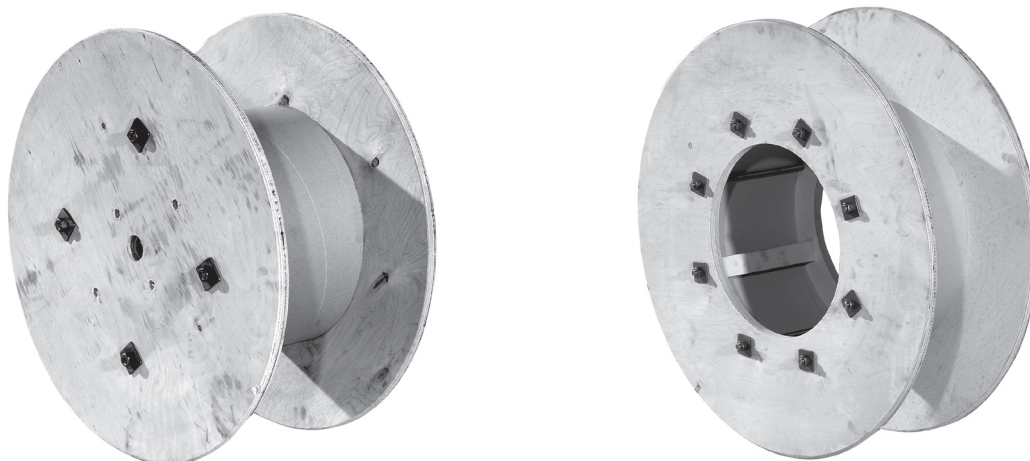


# Delivery forms

## Wooden Spool

**Edition 04/2016**  
Replaces edition 01/2012



### Dimensions:

|              | diameter      |              |                | width         |              | abore                   | wire weight |
|--------------|---------------|--------------|----------------|---------------|--------------|-------------------------|-------------|
|              | outside<br>mm | inside<br>mm | borehole<br>mm | outside<br>mm | inside<br>mm | E<br>mm                 | max<br>kg   |
| <b>H 400</b> | 400           | 200          | 40             | 285           | 250          | 130 / ø 26<br>64 / ø 26 | 110         |
| <b>H 650</b> | 650           | 344          | 38             | 310           | 270          | 128 / ø 16<br>64 / ø 16 | 270         |
| <b>H 760</b> | 755           | 430          | 41             | 300           | 266          | 115 / ø 35<br>60 / ø 25 | 400         |
| <b>H 830</b> | 830           | 470          | 355            | 310           | 270          | -                       | 460         |

**Material:** Plywood

**Packaging:** For packaging, the materials used are only those which can be recycled 100 %, such as paper or LDPE (low density polyethylene).